



Description

High-performance mini rectangular photoelectric sensor can provide BGS detection, laser coaxial polarized retro-reflective detection and laser non-coaxial polarized retro-reflective detection and PCB detection. It is suitable for logistics, textile, glass machinery, food packaging and other applications.

Features

- BGS is a product that provides the detection distance of linear light source
- No dead zones in the coaxial axis, precise location function
- AK300 excellent black and white attenuation

Type

The detection distance corresponds to the reflector RB50*50-1

Detection mode	Type	Distance	Light source	Frequency	Output	Switching mode	Connection	Wiring
BGS PCB detection line array light source	OS20-AK100CN6/L	100 mm	Red	400 Hz	NPN	Light on / Dark on	2 m cable	Fig. 1
	OS20-AK100CP6/L	100 mm	Red	400 Hz	PNP	Light on / Dark on	2 m cable	Fig. 2
	OS20-AK100CN6Q8/L	100 mm	Red	400 Hz	NPN	Light on / Dark on	M8 connector, 4-pin	Fig. 3
	OS20-AK100CP6Q8/L	100 mm	Red	400 Hz	PNP	Light on / Dark on	M8 connector, 4-pin	Fig. 4
BGS	OS20-AK300CN6	6 ... 300 mm	Red	400 Hz	NPN	Light on / Dark on	2 m cable	Fig. 1
	OS20-AK300CP6	6 ... 300 mm	Red	400 Hz	PNP	Light on / Dark on	2 m cable	Fig. 2
	OS20-AK300CN6Q8	6 ... 300 mm	Red	400 Hz	NPN	Light on / Dark on	M8 connector, 4-pin	Fig. 3
	OS20-AK300CP6Q8	6 ... 300 mm	Red	400 Hz	PNP	Light on / Dark on	M8 connector, 4-pin	Fig. 4
Non-coaxial polarized retro-reflective detection	OS20-RPLCN6	5 m	Red laser	800 Hz	NPN	Light on / Dark on	2 m cable	Fig. 1
	OS20-RPLCP6	5 m	Red laser	800 Hz	PNP	Light on / Dark on	2 m cable	Fig. 2
	OS20-RPLCN6Q8	5 m	Red laser	800 Hz	NPN	Light on / Dark on	M8 connector, 4-pin	Fig. 3
	OS20-RPLCP6Q8	5 m	Red laser	800 Hz	PNP	Light on / Dark on	M8 connector, 4-pin	Fig. 4
Coaxial polarized retro-reflective detection	OS20-TRPLCN6	5 m	Red laser	800 Hz	NPN	Light on / Dark on	2 m cable	Fig. 1
	OS20-TRPLCP6	5 m	Red laser	800 Hz	PNP	Light on / Dark on	2 m cable	Fig. 2
	OS20-TRPLCN6Q8	5 m	Red laser	800 Hz	NPN	Light on / Dark on	M8 connector, 4-pin	Fig. 3
	OS20-TRPLCP6Q8	5 m	Red laser	800 Hz	PNP	Light on / Dark on	M8 connector, 4-pin	Fig. 4

*/I Infrared beam, eg. OS20-AK100CN6/L/I

Technical Data

Operating voltage	10 ... 30 V DC
Ripple voltage	≤ 10%
Light source	Red laser (650 nm) / class 1
Output type	PNP / NPN
Switch mode	Light on: setting connects U+; dark on: setting connects U-
Spot size	6 x 55 mm@AK100
No-load current	≤ 20 mA
Load current	≤ 100 mA
Sensitivity	Teach button or potentiometer adjustment
Housing	PC + PBT
Connection	M8 connector / 2 m cable
Ambient temperature	-25 ... +55 °C
Storage temperature	-40 ... +70 °C
Operating environment humidity	35% to 85%RH (no condensation)
Voltage withstanding	1000 V/AC 50/60 Hz 60 s
Insulation impedance	≥ 50 MΩ (500 V DC)
Shock resistance	Complex amplitude 1.5 mm 10 ... 50 Hz (2hr X, Y,Z respectively)
Impact resistance	500 m/s ² (50 G) 3 times X,Y,Z respectively
Protection class	IP67

Wiring

Pre-wired cable

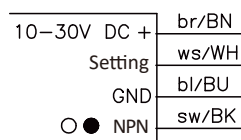


Fig. 1

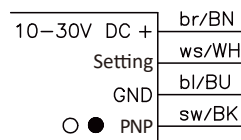


Fig. 2

M8 connector

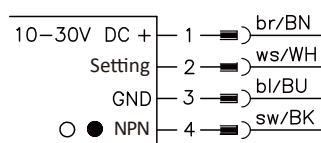


Fig. 3

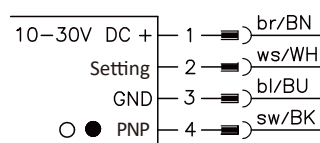
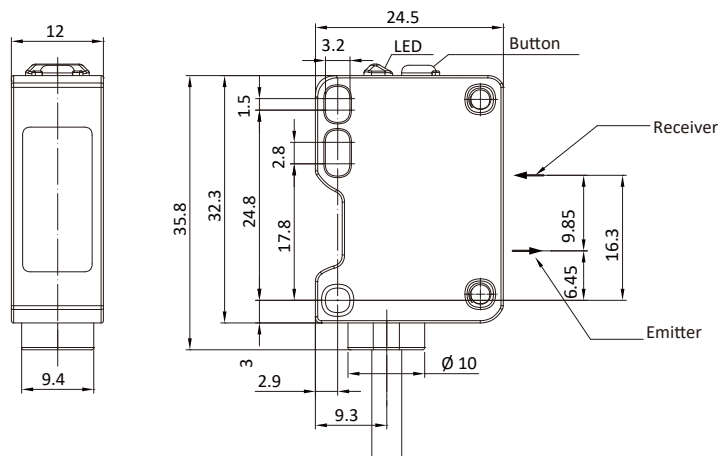


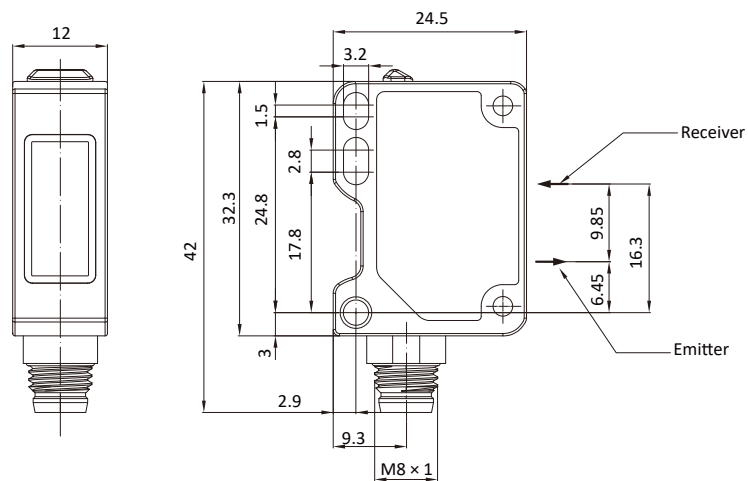
Fig. 4

Dimensions

Cable



M8 connector



Reflector (optional)

RB50x50-1

